

## 28 mm F/3.5 CERCO®

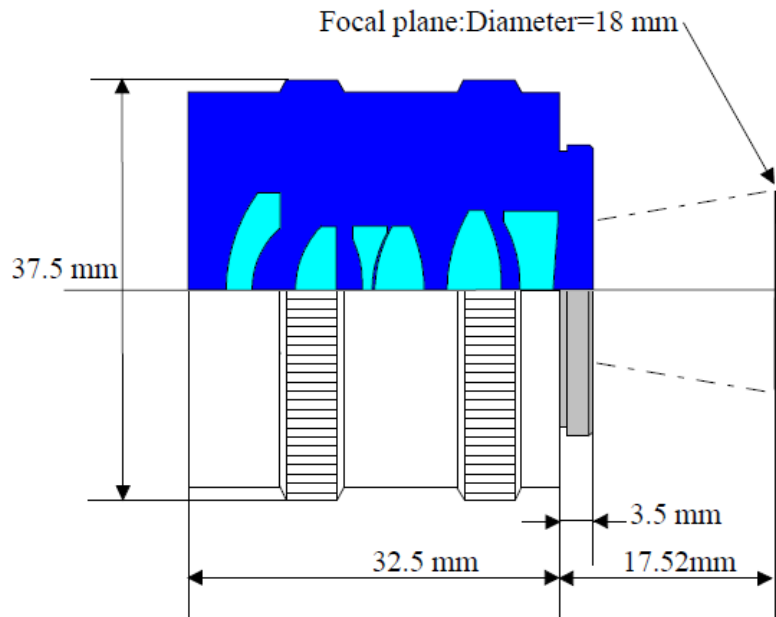


### UV LENSES

- LARGE APERTURE, WIDE FIELD
- CUSTOM MADE LENSES FOR ANY APPLICATIONS
- COMBUSTION EXPERTISE, GENRAL PHYSICS AND FORENSIC SCIENCES
- TO BE USED WITH INTENSIFIED CAMERA

# UV 28 mm

| TECHNICAL SPECIFICATIONS          |  |
|-----------------------------------|--|
| <b>Main features</b>              |  |
| Focal length                      | 28,3 mm  |
| F stop range                      | F/3.5 to F/16  |
| Focusing distances                | 25 cm to infinity  |
| Picture size (mm)                 | Ø 18 mm (full performances) usable up to Ø 25 mm                                   |
| Field of view                     | 35.4° diagonal (image Ø 18 mm)   |
| Usable spectral range             | 240 nm (MC) or 190 nm (uncoated) to 900 nm   |
| Optical transmission              | [240 to 430 nm] T>90% ; [visible to IR] = 35%<br>60% from UV to IR ; 50% at 190 nm |
| Multicoated standard type         |  |
| Uncoated type                     |  |
| MTF, UV range 240-410 nm          | 40% for 40 llines/mm, F/3.5, image Ø 18 mm   |
| Radial Distorsion                 | <0.4%  |
| Vignetting                        | <20% inside Ø 18 mm ; 50% at Ø 23 mm   |
| Optical design                    | 6 lenses, made f synthetic fused silica and UV grade mono-crystal calcium fluoride |
| <b>Mechanical Characteristics</b> |  |
| Overall length (mm)               | 36 (infinity) / 39.5 (close focus)   |
| Overall Diameter (mm)             | Ø 37.5   |
| Camera mount                      | C mount (Ø 1", 32 tpi 52)  |
| Front filter mount                | M 32 x 0.5   |



The **28 F/3.5 UV lens type CERCO® 1990** has been designed for video cameras with image intensifier working with UV light. This UV lens is usable from ultraviolet to near infrared without focusing adjustment. Two types are proposed: standard multicoated type, optimised from 240nm to 410 nm wavelength range, and uncoated type, usable from 190 nm to 900 nm.

## CONTACT

**SODERN**

Email : [sales-department@sodern.fr](mailto:sales-department@sodern.fr)

Phone : + 33 1 45 95 70 00

**SODERN**

20 Avenue Descartes

94450 Limeil-Brévannes, France

[www.sodern.com](http://www.sodern.com)